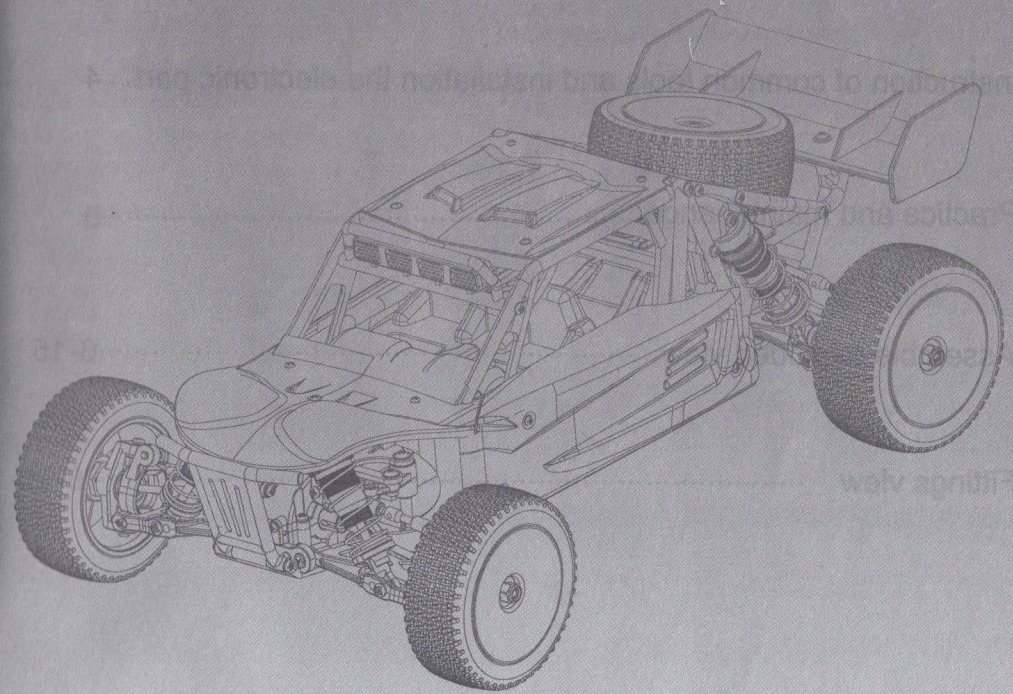


1:12 Electric 4WD Climbing car



Caution: This model is not a toy, it is designed for users over 14 years of age.

Please use this instruction and the R/C system instruction at the same time.

The instruction is suitable for a type of model whose number is 124018

Safety and caution 1-2

Troubleshooting • Product introduction 2-3

Instruction of common tools and installation the electronic part... 4

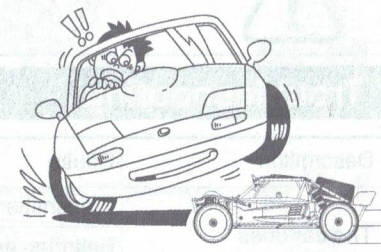
Practice and maintenance.....5

Assemble exploded view6-15

Fittings view16-20

Safety and Cautions

- *Never run the model on public roads or streets, as it could endanger traffic.
- *Never run the model in crowded areas, near or toward people or animals, to prevent property damage and/or personal injury.
- *Never run the model near rivers, ponds or lakes as to prevent R/C car from dropping into the water.
- *Make sure that no one else is using the same frequency as yours in your running area. Using the same frequency at the same time, whether it is driving, flying or sailing, can cause loss of control with R/C model, resulting in serious accidents.
- *To avoid a runaway R/C model or loss of control, always follow the procedure below:
 1. Fully extend transmitter antenna.
 2. Switch on transmitter.
 3. Switch on R/C model.
- *Follow reverse procedure to shut down.
- *Never touch or hinder rotating tire.
- *Never run R/C model in the rain or let run over puddles, as water may cause trouble with R/C model.
- *Motor and battery get very hot after running. Take care when handle them.
- *Retract transmitter antenna when not in use.
- *Remove the batteries from model and transmitter when they are not in use.



Cautions when handling batteries

- *Do not dismantle the battery or charger and do not cut any battery cables. This may cause short-circuit and/or damage to the product.
- *Change battery with compatible charger following proper procedure that is called out in the instructions. Do not modify charger or charge battery in improper way.
- *Do not recharge battery that is still warm from use as it may damage the battery. Allow the battery to cool off prior to recharging.
- *Make sure to disconnect charger cables from R/C model and electric outlet when not in use.
- *Remove transmitter battery when not using it for a long time as it may leak and damage transmitter when left for a long period.
- *Never incinerate used batteries, as they can explode causing serious accidents.



Safety precautions

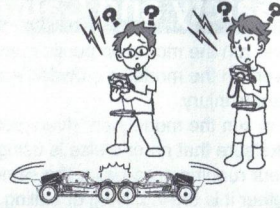
Do not operate the model on public roads, in crowded places or near infants, it may cause accidents or injury.

As the product includes small and sharp parts, assemble and store this product only in places out of the reach of children.

As the front end of the antenna may be dangerous, do not aim it toward faces.

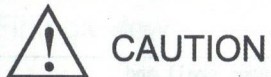
During the car running and after, the motor will be hot. Please do not touch it until it has had time to cool down.

Don't use the same frequency with others at the same time. Or the car will lose control or even lead to serious accidents.



Troubleshooting

Description	Cause	Solution
The car does not operate at all.	Transmitter or receiver is off.	Turn on both transmitter and receiver.
	Batteries are not placed properly in the transmitter.	Place batteries in the transmitter properly.
	The drive battery is not charged enough.	Charge the drive battery.
The car does not follow your operation and control distance not enough long.	Someone else is using the same radio frequency as you are using.	Charge your radio frequency to the one no one else is using, wait until the driver using the same radio frequency finishes driving, or drive your car at a different place.
	There is not enough power in the transmitter or receiver batteries.	Replace the transmitter batteries with new ones and charge the drive battery.
	Not tighten antenna on the transmitter/not fully extend antenna.	Make sure insert antenna into the transmitter and fully extend antenna.

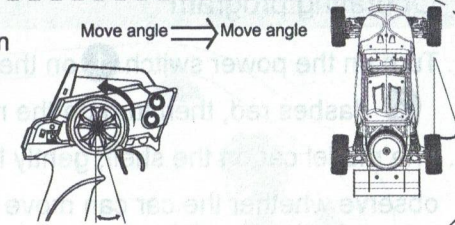


CAUTION

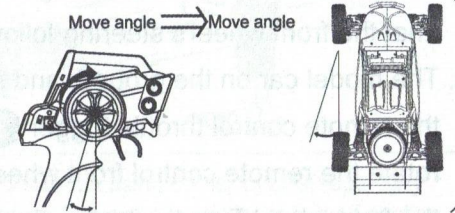
- * Please observe the operation manual or packing explanation to install and use, and some parts should be installed by adults.
- * The product contains small part, it may cause swallow or choke.
- * Never run an R/C model in the seep or rain, moisture areas, or it may cause the parts malfunction.
- * Please throw the wrapper in time to avoid danger for the children.
- * Regularly examine for damage to the charge, wire, plug, bodyshell or other parts. In the event of any damage, it must not be used until the damage has been repaired.
- * The charge, battery box and battery must insert with the appointed power source of product symbol same.
- * This product must only be used with the original collocation charger.
- * The product is contains the functional outshoots are may be dangerous to the children.

Proportional R/C Using Instruction

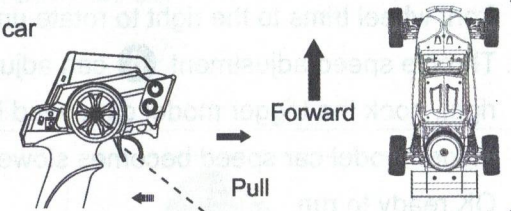
- ① Turn left the steering wheel, the car will turn left. Turning left angle can be adjusted by the degree of wheel twisting.



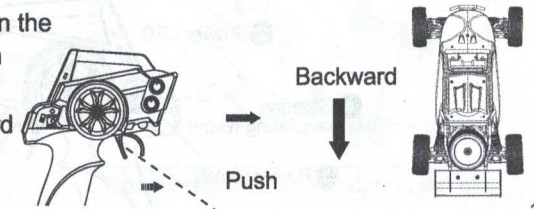
- ② Turn right the steering wheel, the car will turn right. Turning right angle can be adjusted by the degree of wheel twisting.



- ③ Pull the throttle trigger backward, the car will forward. Adjusting the angle of throttle trigger can adjust forward speed of the car. During the car forward, quickly push the trigger forward to stop it.

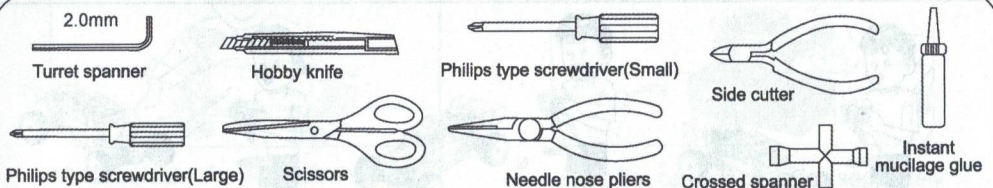


- ④ Loosen the trigger to make it return the neutral position when brake. Push the throttle trigger forward, the car will backward. Adjusting forward angle of throttle trigger adjust backward speed of the car.



Introduce the common tools and assemble the electron parts

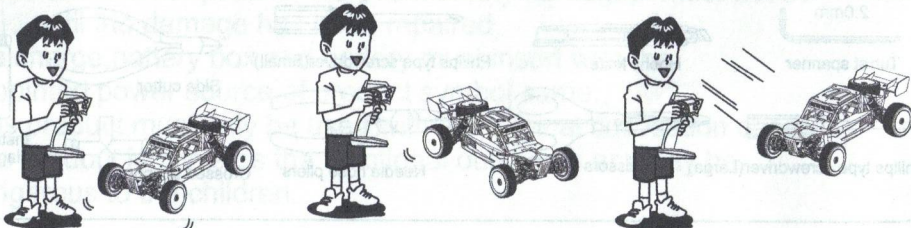
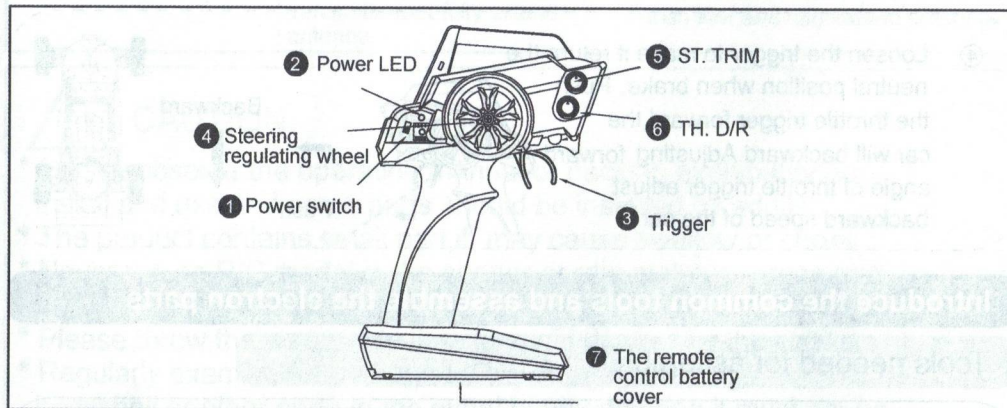
Tools needed for assembly



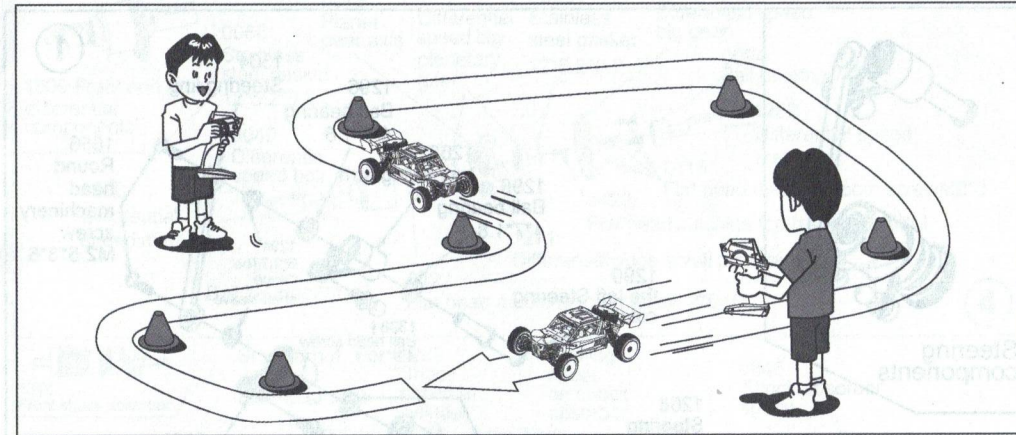
PRACTICE AND MAINTENANCE

Operating program

1. Turn on the power switch ① on the remote and make sure the power indicator ② flashes red, then turn on the model car's power switch.
2. The model car on the shelf, gently hook remote control on the trigger ③ to observe whether the car can move forward and backward.
3. Turn the remote control steering wheel ④ to the left or right and make sure that the front wheel's steering follows the command.
4. The model car on the ground, and standing behind the model car, gently hook the remote control throttle trigger ③, if the model car does not go straight, rotate the remote control front wheel trim ⑤, the model car to the right side, the front wheel Turn the trim to the left, the model car leans to the left, and the front wheel trims to the right to rotate until the model car can go straight.
5. Throttle speed adjustment ⑥ can adjust the model car speed, rotate to the right, hook the trigger model car speed becomes faster, turn left, hook the trigger model car speed becomes slower.
6. OK, ready to run.

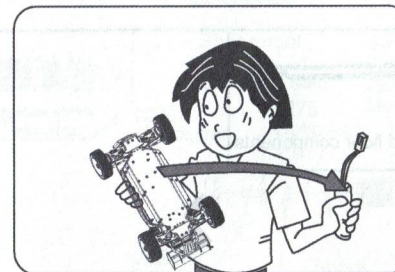


Practice

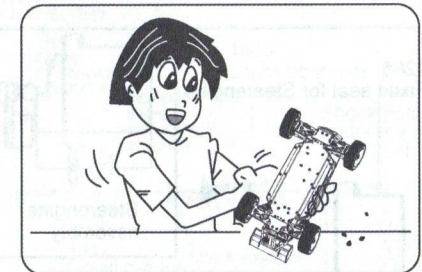


Let's practice! Make R/C car circuit at a wide and safe location using corner pylons (separately available), empty cans or such. Running fast at straight section and slow down at curved section is a basic speed control technique useful when driving R/C car.

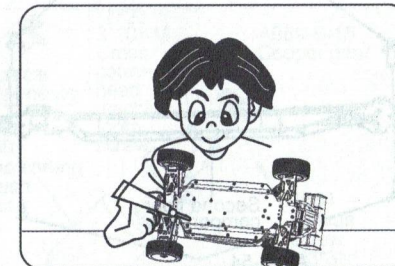
Maintain



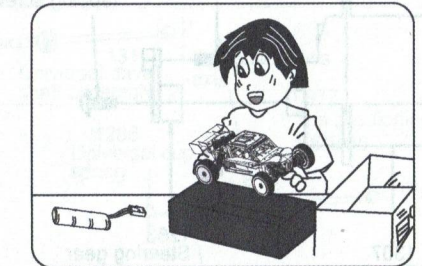
When the car is not in use, you should remove the battery from the car.



Completely remove sand, mud, dirt etc.

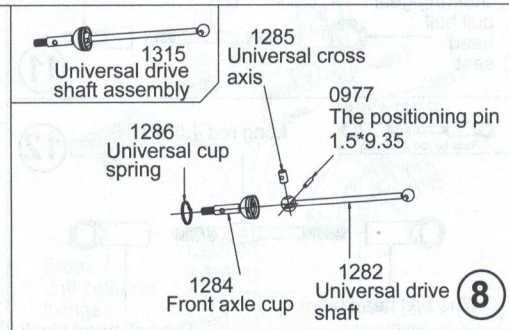
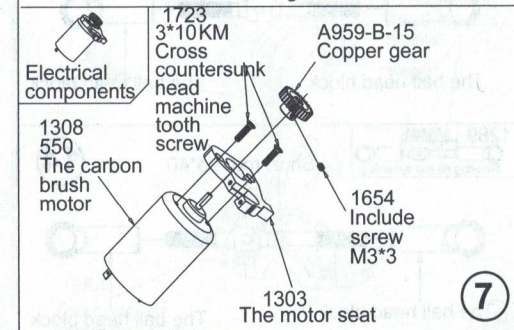
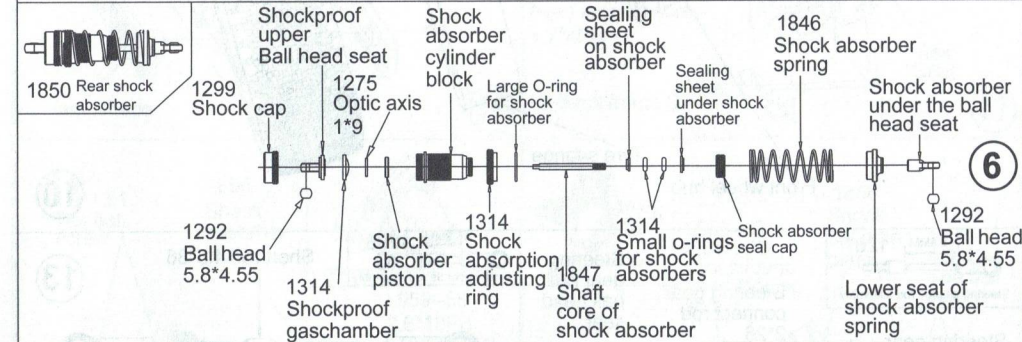
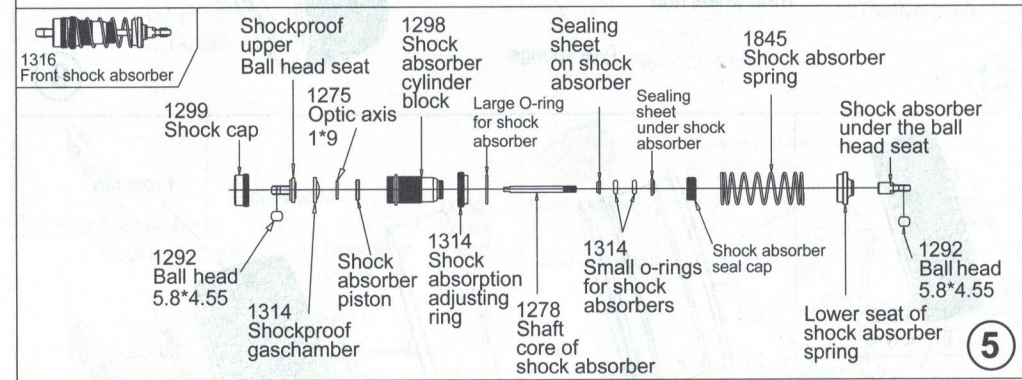
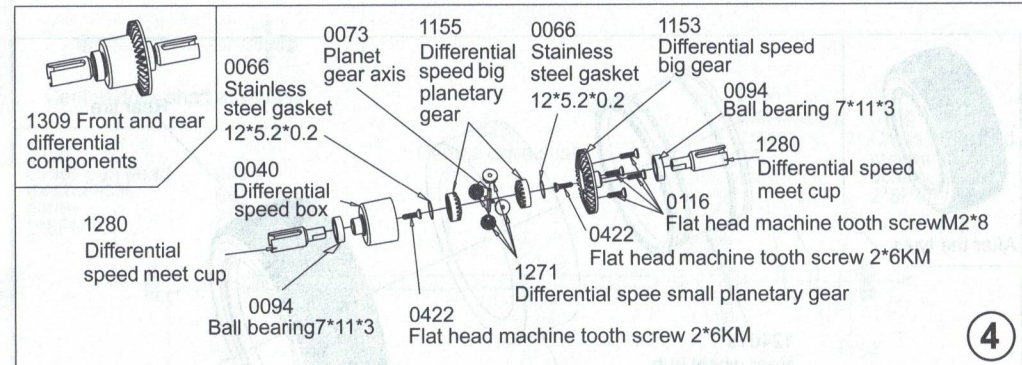
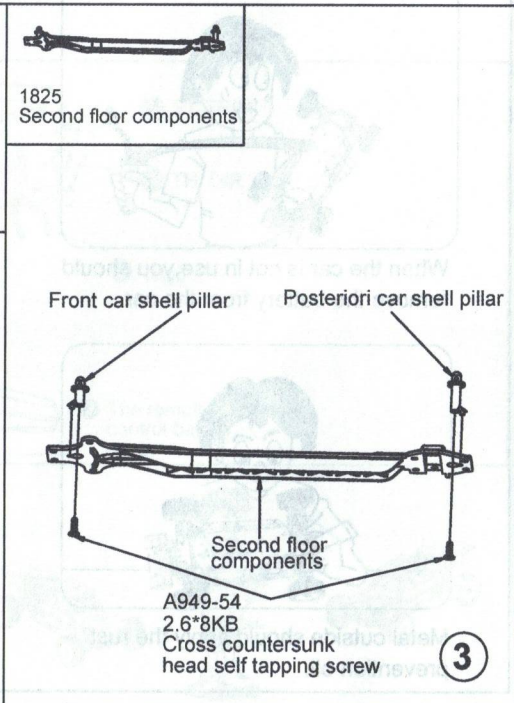
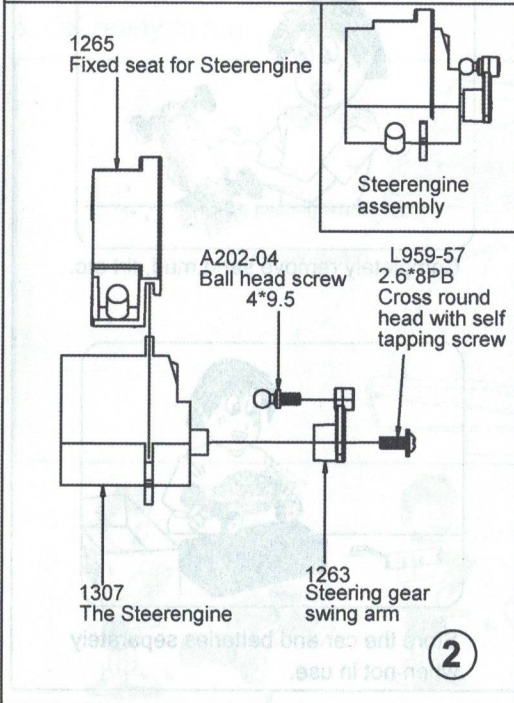
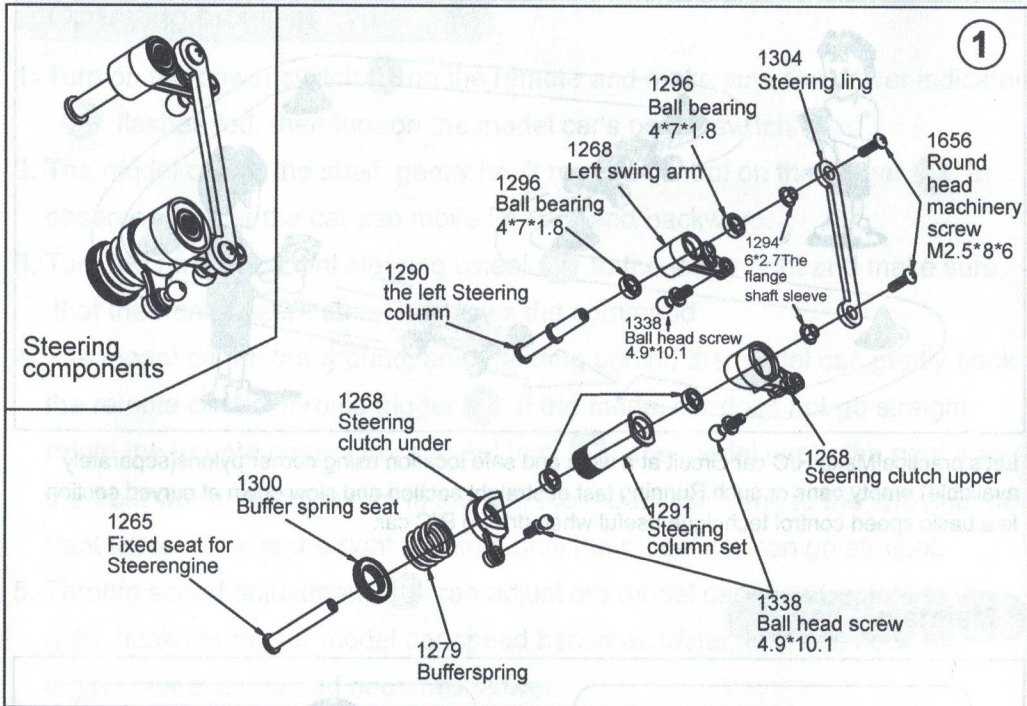


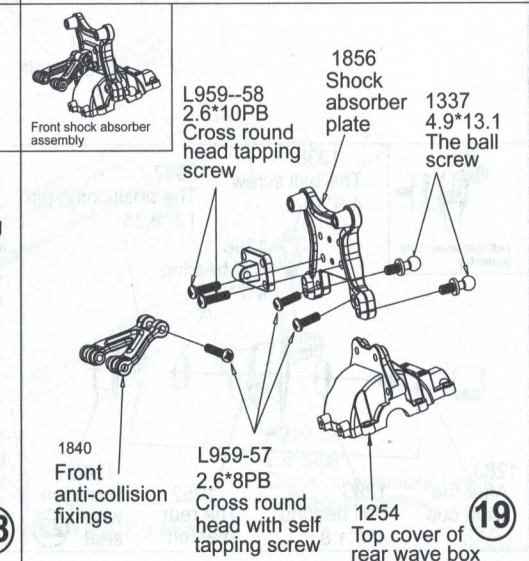
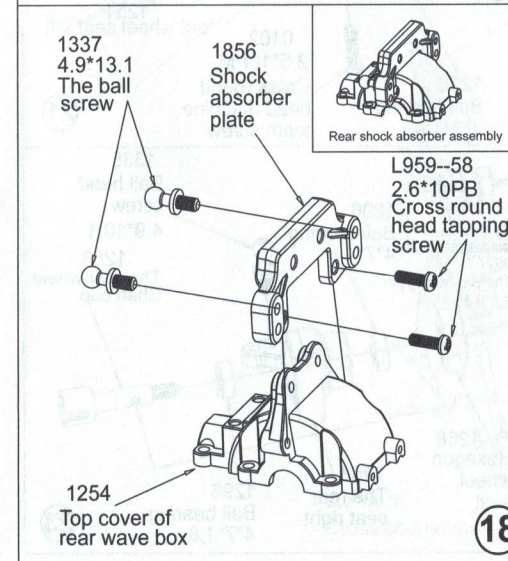
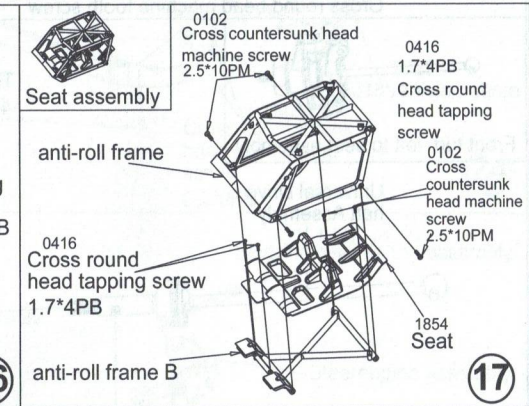
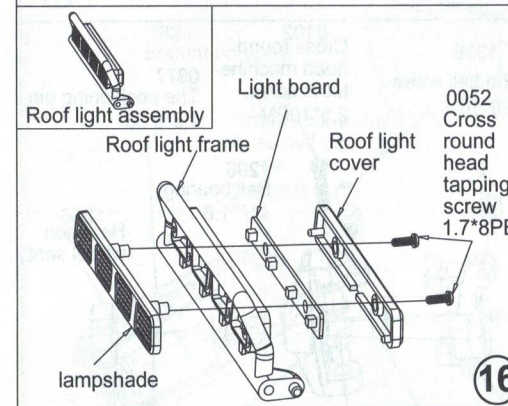
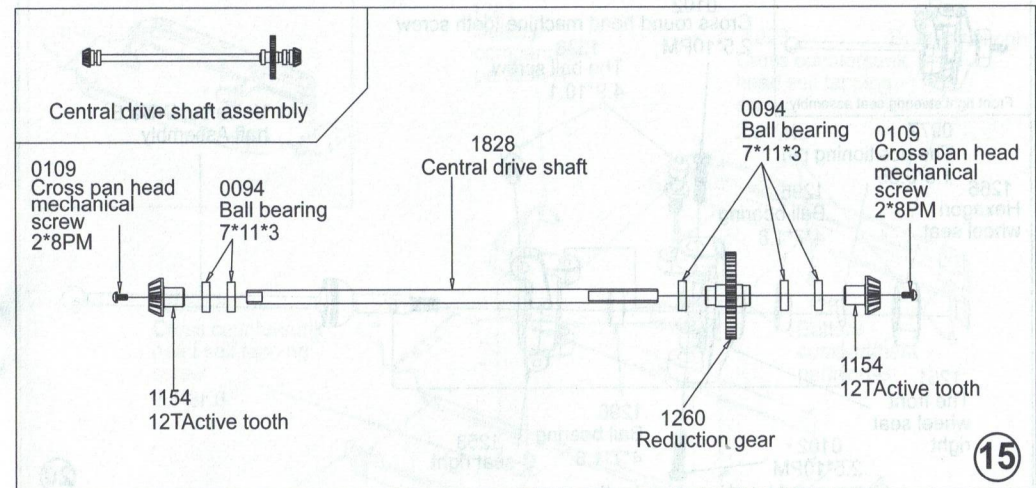
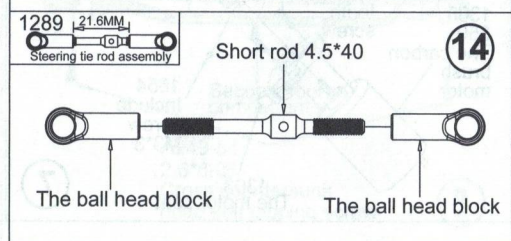
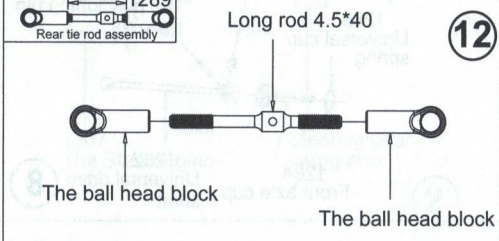
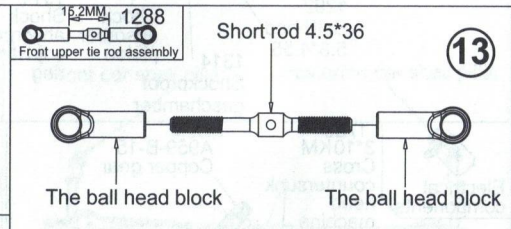
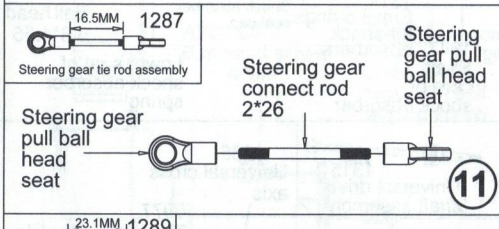
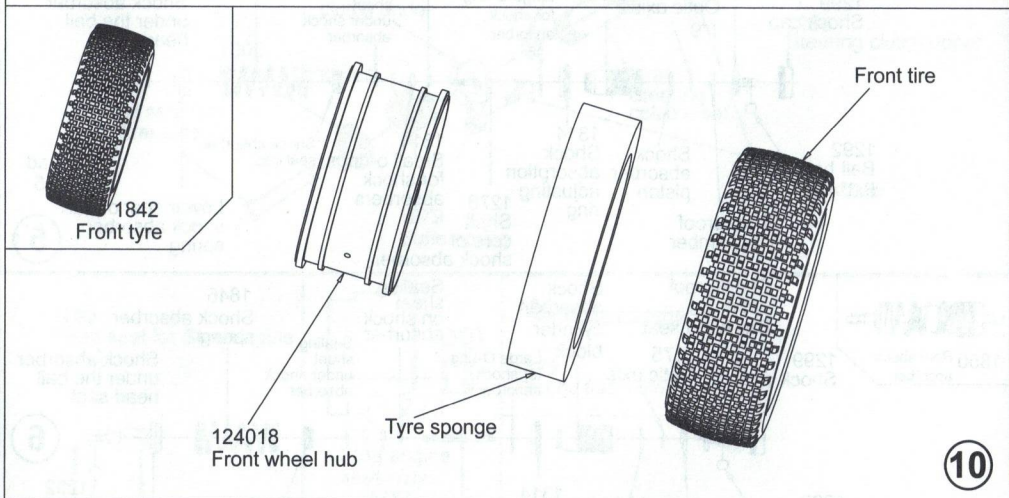
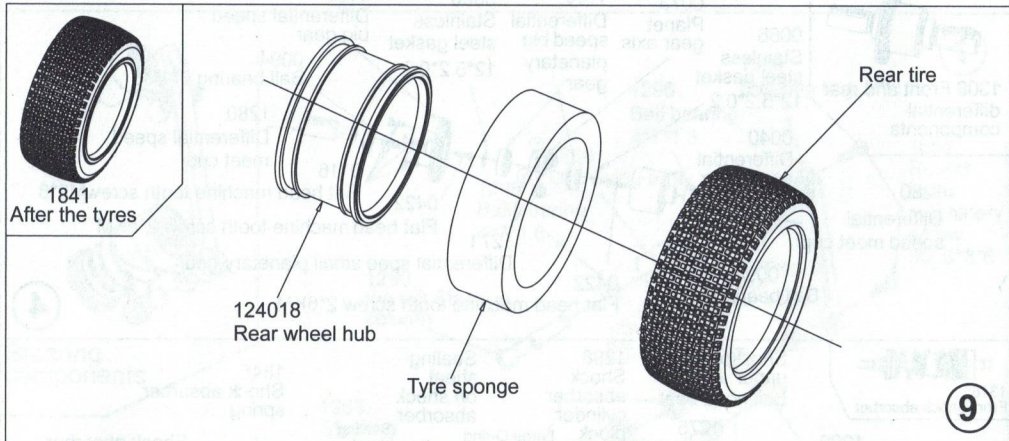
Metal outside should apply the rust prevention oil.

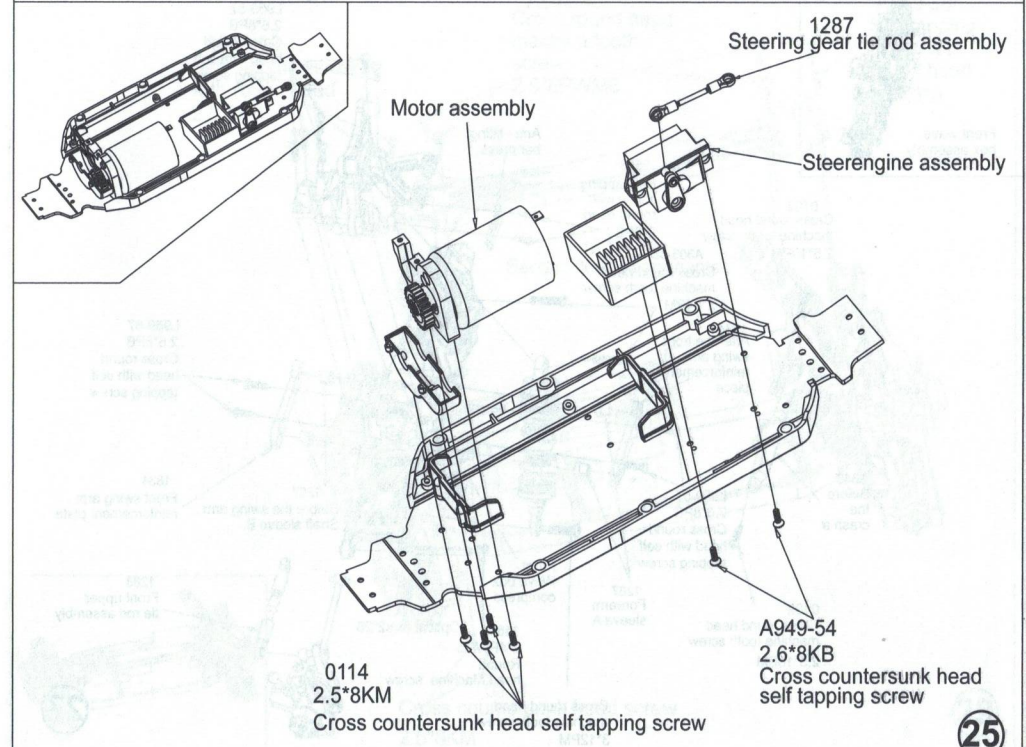
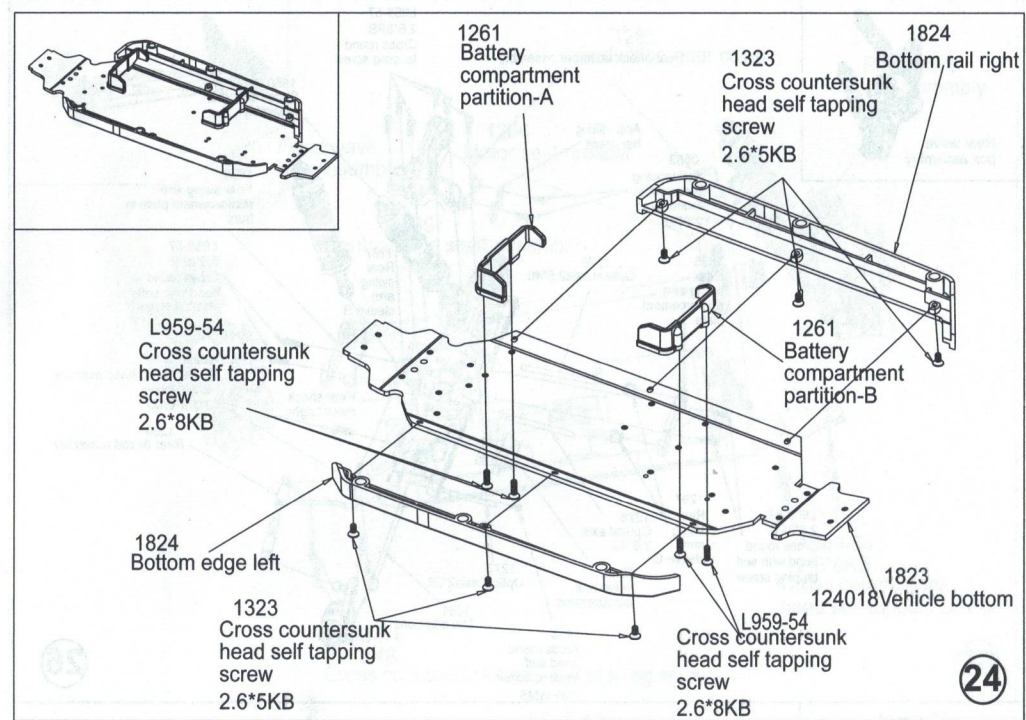
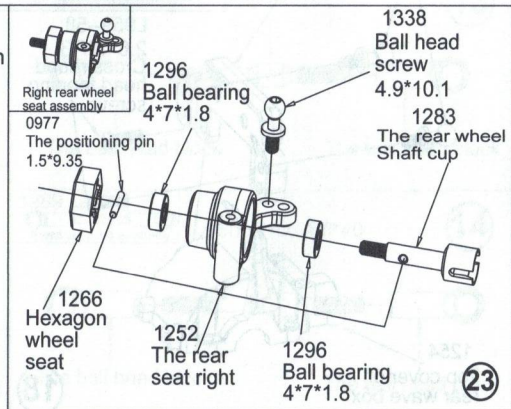
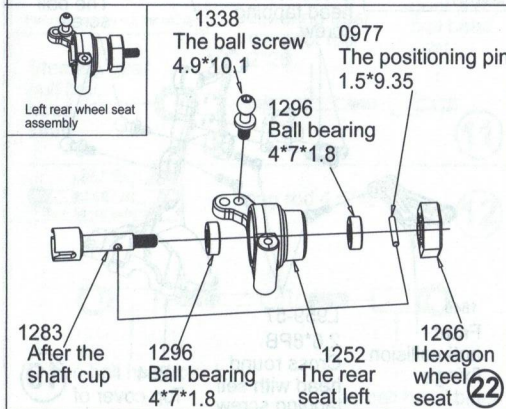
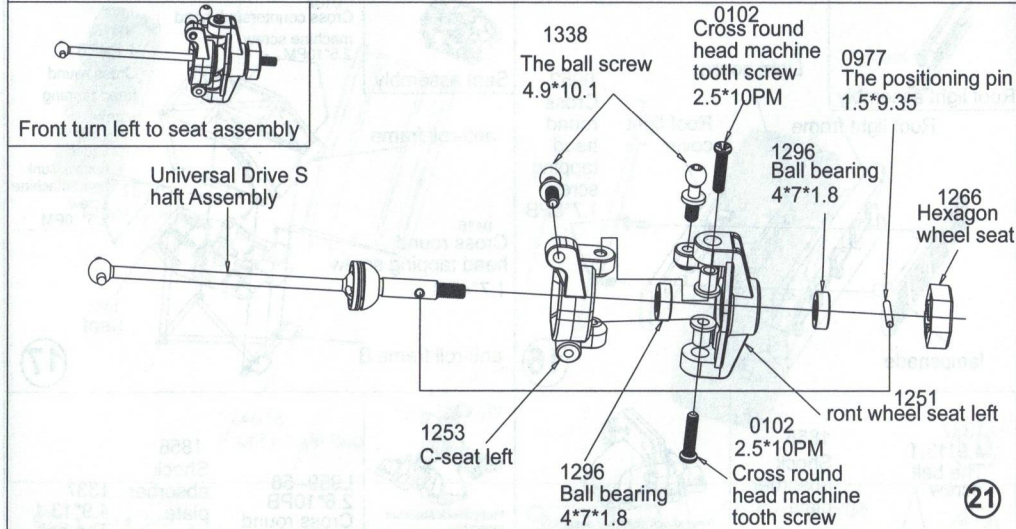
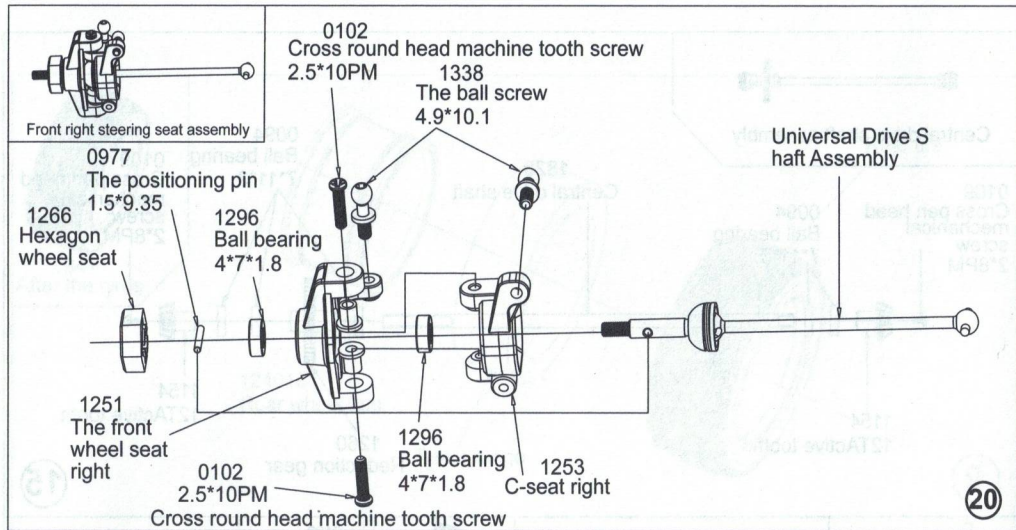


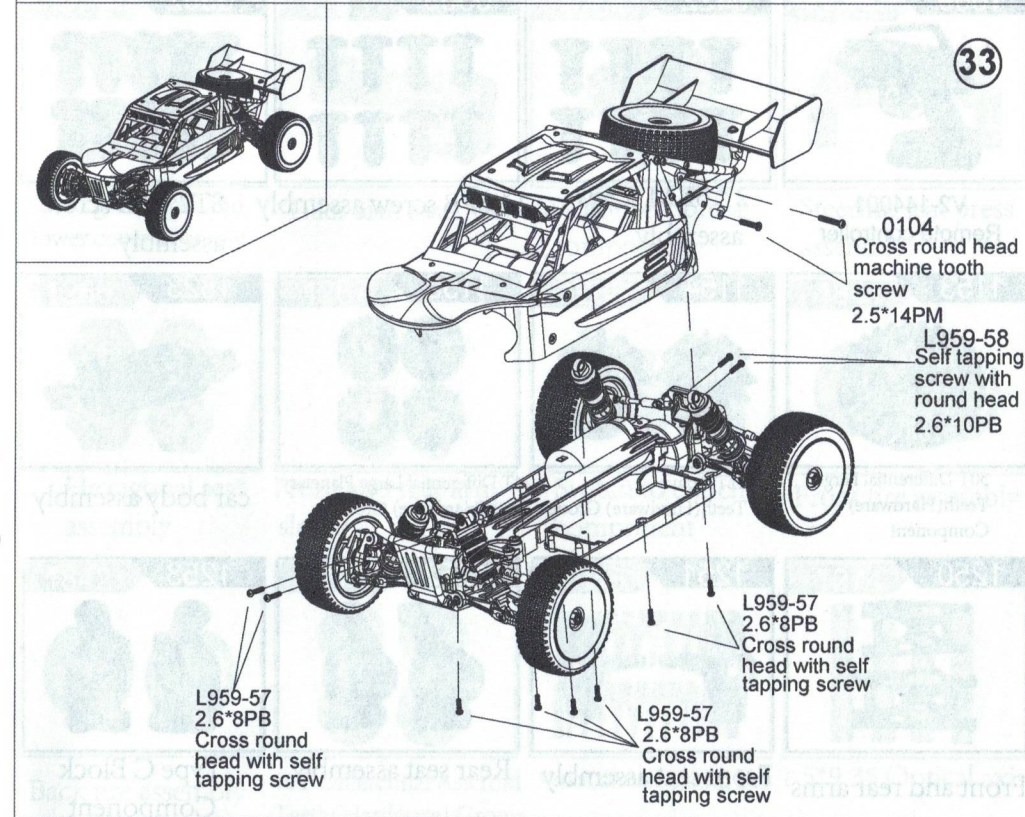
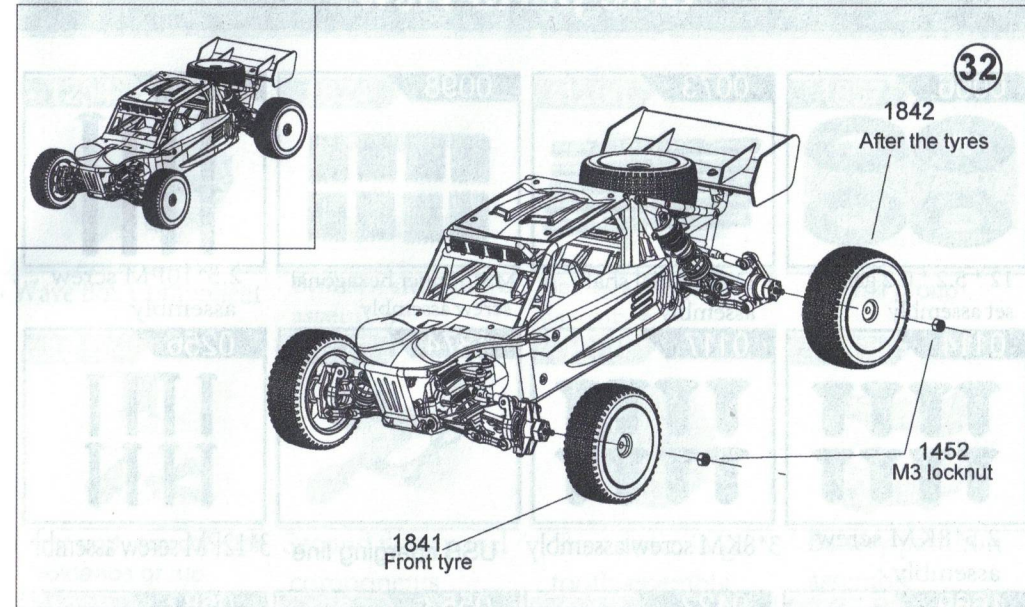
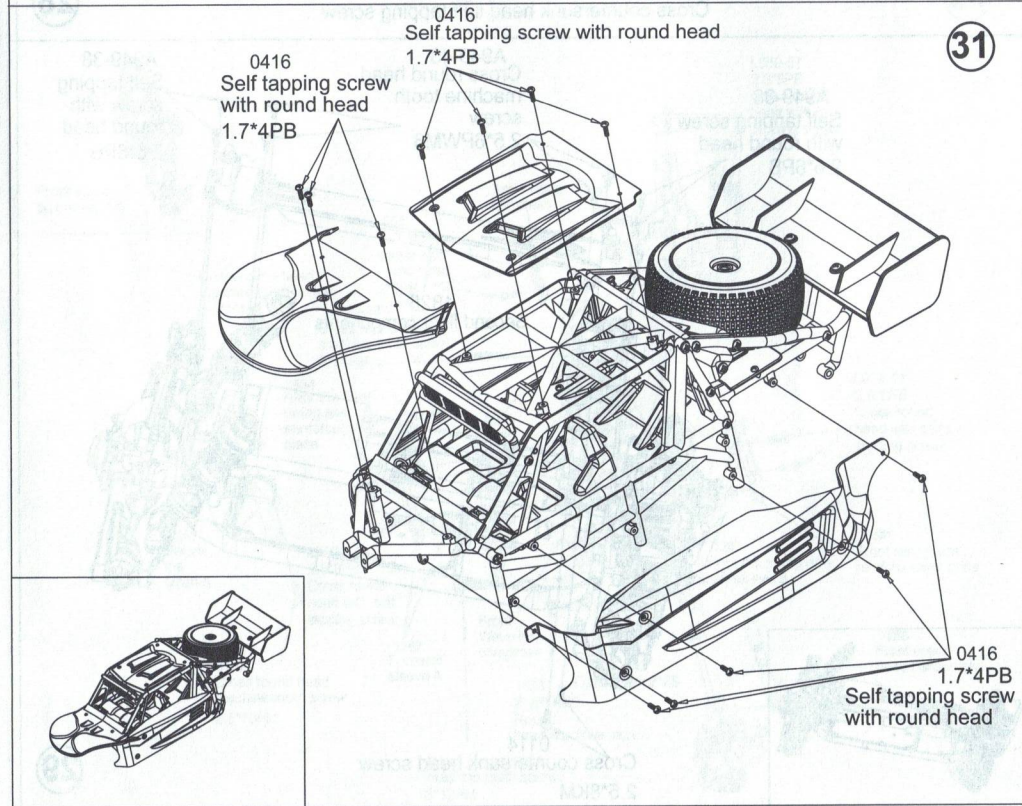
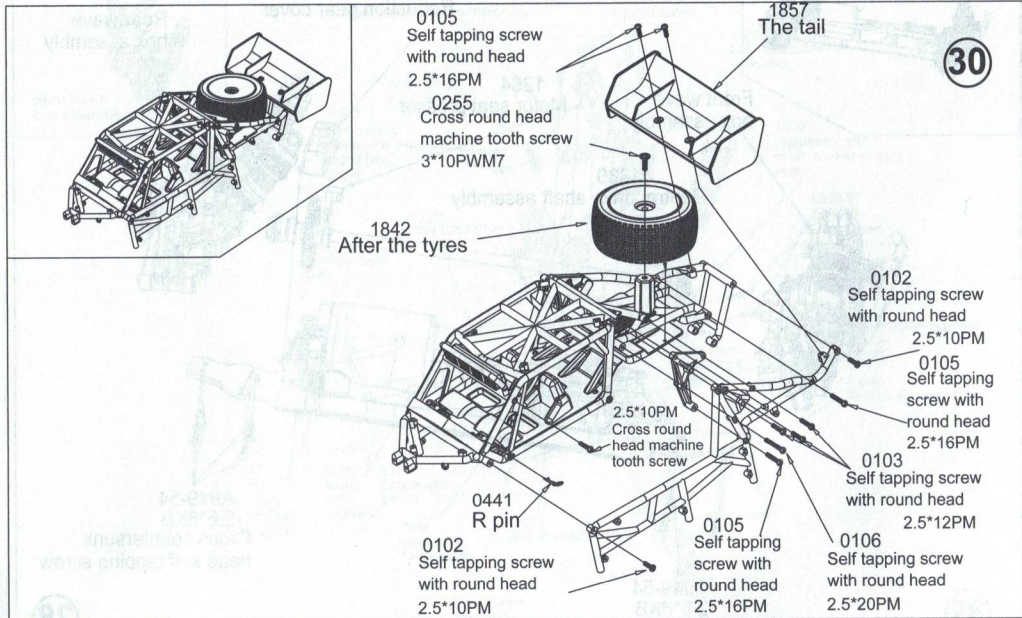
Store the car and batteries separately when not in use.

Assembly Exploded Diagram

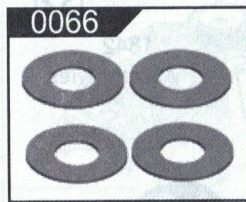




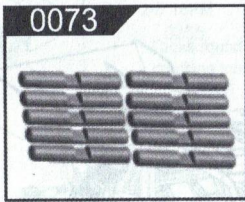




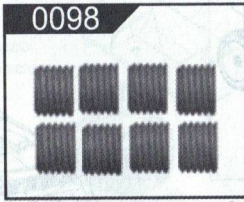
Sale parts view



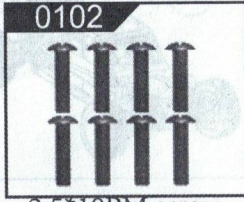
0066
12 * 5.2 * 0.2 gasket set assembly



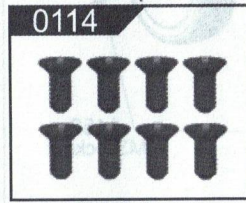
0073
Differential shaft assembly



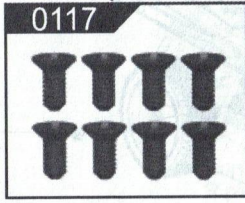
0098
M3*3 Inner hexagonal screw assembly



0102
2.5*10PM screw assembly



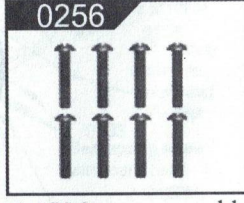
0114
2.5*8KM screw assembly



0117
3*8KM screw assembly



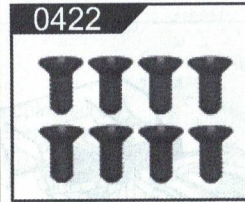
1374
USB charging line



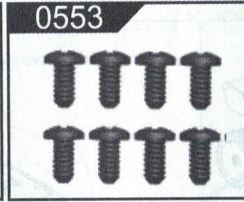
0256
3*12PM screw assembly



1669
V2-144001 Remote controller



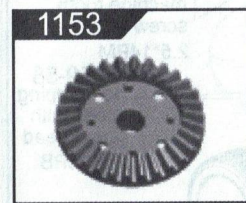
0422
2 * 6KM screw assembly



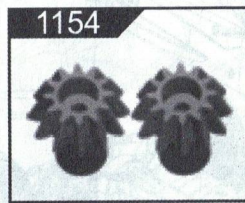
0553
2 * 6PB screw assembly



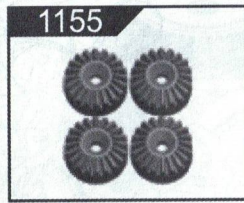
0582
ST2*7PB screw assembly



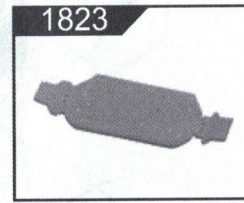
1153
30T Differential Large Teeth(Hardware) Component



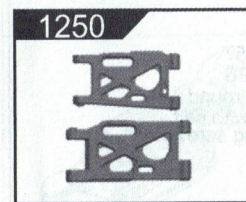
1154
12T Active Teeth(Hardware) Group



1155
24T Differential Large Planetary Teeth(Hardware) Group



1823
car body assembly



1250
Front and rear arms



1251
Front seat assembly

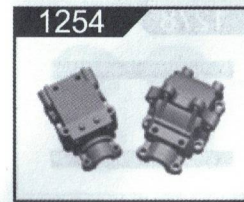


1252
Rear seat assembly



1253
Type C Block Component

Sale parts view



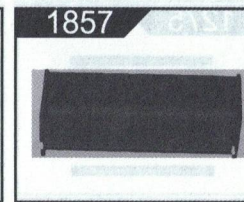
1254
Wave Box Component



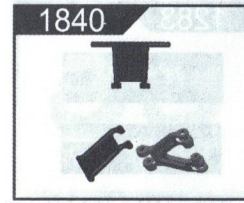
1824
Bottom side guard assembly



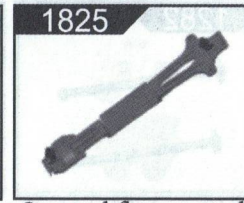
1256
Ball head support assembly



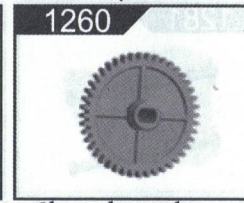
1857
Tail group



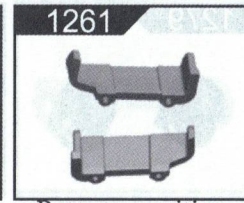
1840
Front and rear collision avoidance group



1825
Second floor panel components



1260
Slow down large tooth assembly



1261
Battery partition assembly



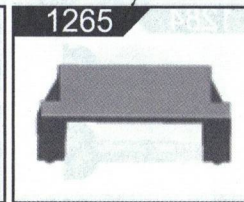
1262
Speed gear upper and lower cover assembly



1263
Tiller arm assembly



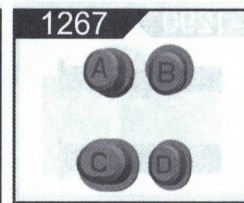
1264
Motor seat press component



1265
Steering seat press assembly



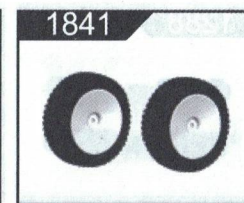
1266
Hexagonal seat assembly



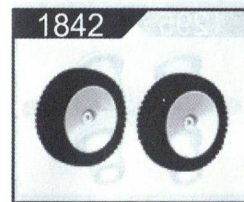
1267
Front and rear arm sleeve



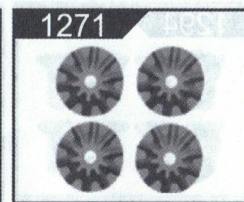
1268
Switch to clutch component



1841
Front tire assembly



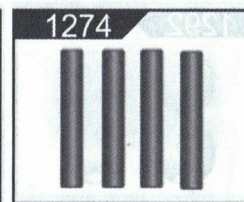
1842
Back tire assembly



1271
10T Differential Asteroid Teeth(Hardware) Group

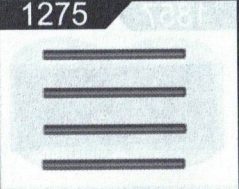
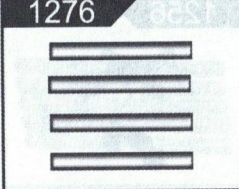
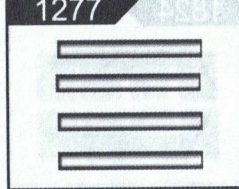
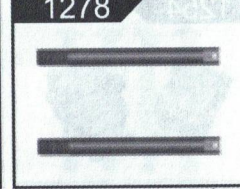
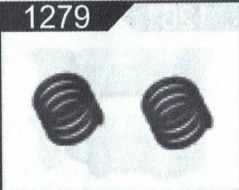


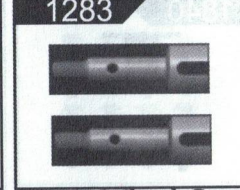
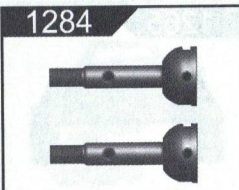
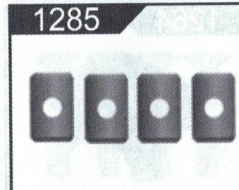
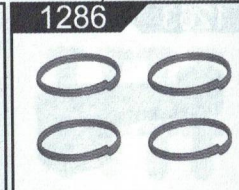
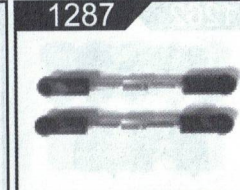
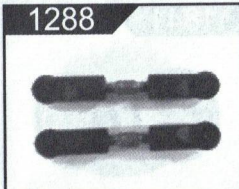
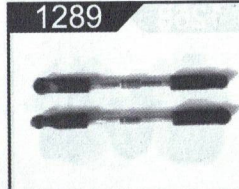


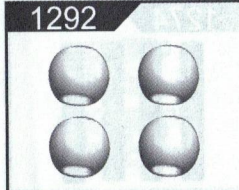

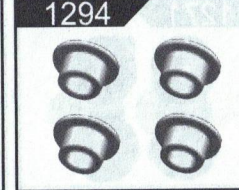



1845
Front shock spring set



1274
1.5*9.35 Optical axis


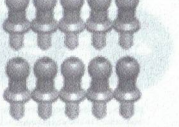
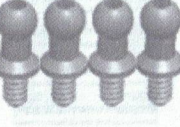
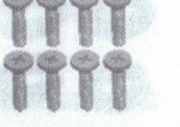
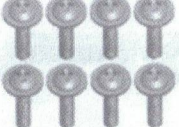
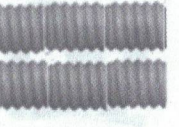
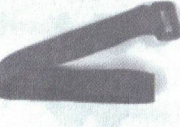

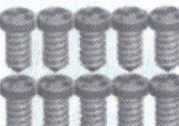
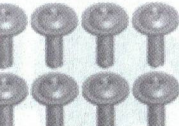





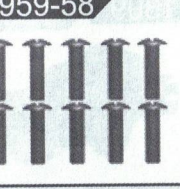
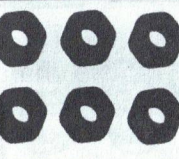
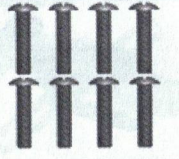
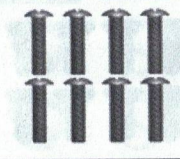
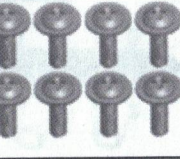
Sale parts view

			
1275 1*9 Optical axis	1276 2.5*40 Optical axis	1277 2*26 Optical axis	1278 Shock absorber shaft component
			
1279 Buffer spring assembly	1281 Dog bone assembly	1282 Universal drive shaft assembly	1283 Rear Wheel Cup Component
			
1284 Front Wheel Cup Component	1285 Cross shaft assembly	1286 Universal cup spring assembly	1287 Steering gear lever assembly
			
1288 Short pull bar assembly	1289 Long pull bar assembly	1290 Steering column assembly	1291 Steering column sleeve component
			
1292 Ball Head Component	1828 Central Transmission Axis Component	1294 6 * 2.7 flange sleeve assembly	1295 6 * 5.2 flange sleeve assembly

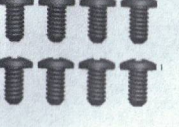
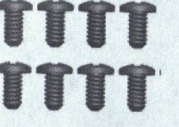
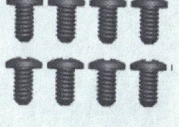

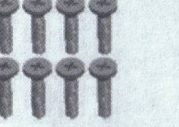
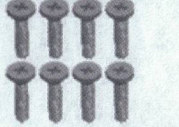
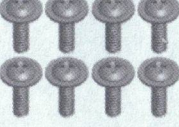
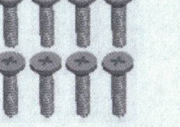

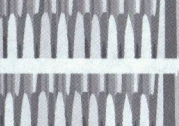
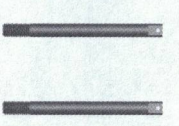
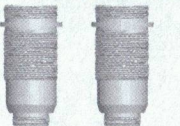
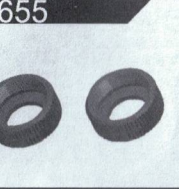


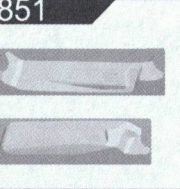
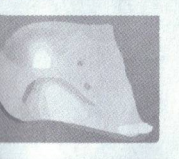
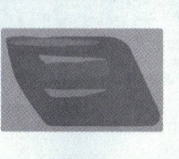
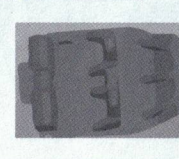
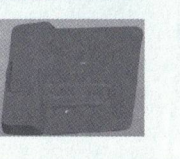
Sale parts view

			
1296 Ball bearing assembly	1298 Shock absorber cylinder assembly	1299 Shock absorber cap assembly	1300 Regulate Ring Component
			
1301 Spring seat assembly	1844 Left and right groups of lower fixed base of rear shock absorber	1303 Motor Block Component	1304 Steering connecting rod assembly
			
1834 Front swing arm reinforcement module	1835 Backswing arm reinforcement module	1307 Rudder assembly	1308 Motor components
			
1309 Differential	1311 Receiver board assembly	1314 Type 0 assembly	1315 Coaxial component
			
1849 Front shock mount	1323 ST2.6*5KB screw assembly	1843 Car shell components	1336 Heat Discharge Group

Sale parts view

1337  4.9*13.6 Ball Head screw assembly	1338  4.9*10.6 Ball Head screw assembly	A202-04  4.0*9.5 Ball Head screw assembly	A202-15  ST2*8KB screw assembly
A303-39  ST2.6*6PWB6 screw assembly	1654  3 * 3 Hexagon socket screw	1651  Magic paste group	A949-35  Ball bearings 7 * 11 * 3 groups
A949-38  ST2.6*6PB screw assembly	A949-43  2.5*6PWM6 Screw assembly	A949-49  M3 Loose nut assembly	A959-B-15  Motor teeth 27T group
1652  Battery assembly	L959-54  ST2.6*8KB screw assembly	L959-57  ST2.6*8PB screw assembly	L959-58  ST2.6*10PB screw assembly
1452  M3 flange nut	1389  3 * 20pm Cross round head machine screw	1453  2*4PWM5 Cross round head machine screw	1656  2.5*8PWM6 Cross round head machine screw

Sale parts view

0416  ST1.7 * 4PB screw assembly	0552  ST1.7 * 8PB screw assembly	A303-32  ST1.7 * 6PB screw assembly	0103  2.5 * 16 PM Cross pan head screw group
0106  2.5 * 20PM Cross pan head screw group	0104  2.5 * 14PM Cross pan head screw group	0255  3 * 10PWM7 screw assembly	A303-38  3 * 14PM Cross pan head screw group
1723  3 * 10KM Cross countersunk screw group	1846  Rear shock spring set	1847  Rear shock absorber axis group	1848  Rear shock block
1655  Shock proof sealing cap 11 * 4.5 sets	1850  Rear shock absorber assembly	1839  Central drive shaft assembly	1851  Left and right sides of car shell
1852  Car head group	1853  Car roof cover group	1854  Seat group	1855  Cab rear seat group